



PLATING INTERNATIONAL, INC.

CHANGING THE WORLD OF PLATING!!!

AIR DIAPHRAGM PUMPS



www.platinginternational.com

Plating International, Inc.

An ISO 9001: 2015, ISO 14001: 2015 Certified Company

11142 Addison Avenue, Franklin Park, IL60131

Office: 1-847-451-2101

Fax: 1-847-451-2106



Plating International Inc. manufactures Specialty Chemicals and Synergistic Equipment for the metal finishing industry. We are proud to be U.S. owned and operated, with our facility located just outside of Chicago, IL. We have an international distribution network in over 12 countries, servicing both the Functional and Decorative Chrome markets. We pride our company on a level of excellent customer service.

The Main Applications of Our Air Diaphragm Pump

- 1. Food Industry:**
 - Pumping peanut butter, mashed potatoes, jam, apple sauce, chocolate, perfume, raw materials, yeast slurry, syrup, molasses, etc.
- 2. Paint Industry:**
 - Pumping a variety of paints, resin, etc.
- 3. Adhesives and glues**
 - Pumping adhesives, glues, etc.
- 4. Ceramic Industry:**
 - Pumping a variety of tile, porcelain, pottery glaze, etc.
- 5. Mining Industry:**
 - After oil well drilling, pumping sediment, pumping water or mud out of mines, trenches, and tunnels, mineral processing, slag, cement grout, mortar, etc.
- 6. Chemical Industry:**
 - Pumping a variety of emulsions and fillers, rubber paste, abrasives, oil, mud, and grease. A variety of toxic, flammable, volatile liquid, a variety of acids, alkalis, strong corrosive liquids.
- 7. Environmental Protection & Wastewater Treatment Industry:**
 - Pumping a variety of sewage, filter pressure, mud, and slurry.
- 8. Shipping Industry:**
 - Pumping a variety of sewage, oil for oil tankers, barges, etc.
- 9. Pumping a variety of high temperature liquids**
 - The maximum temperature is up to 300°F

Plating International, Inc.

An ISO 9001: 2015, ISO 14001: 2015 Certified Company

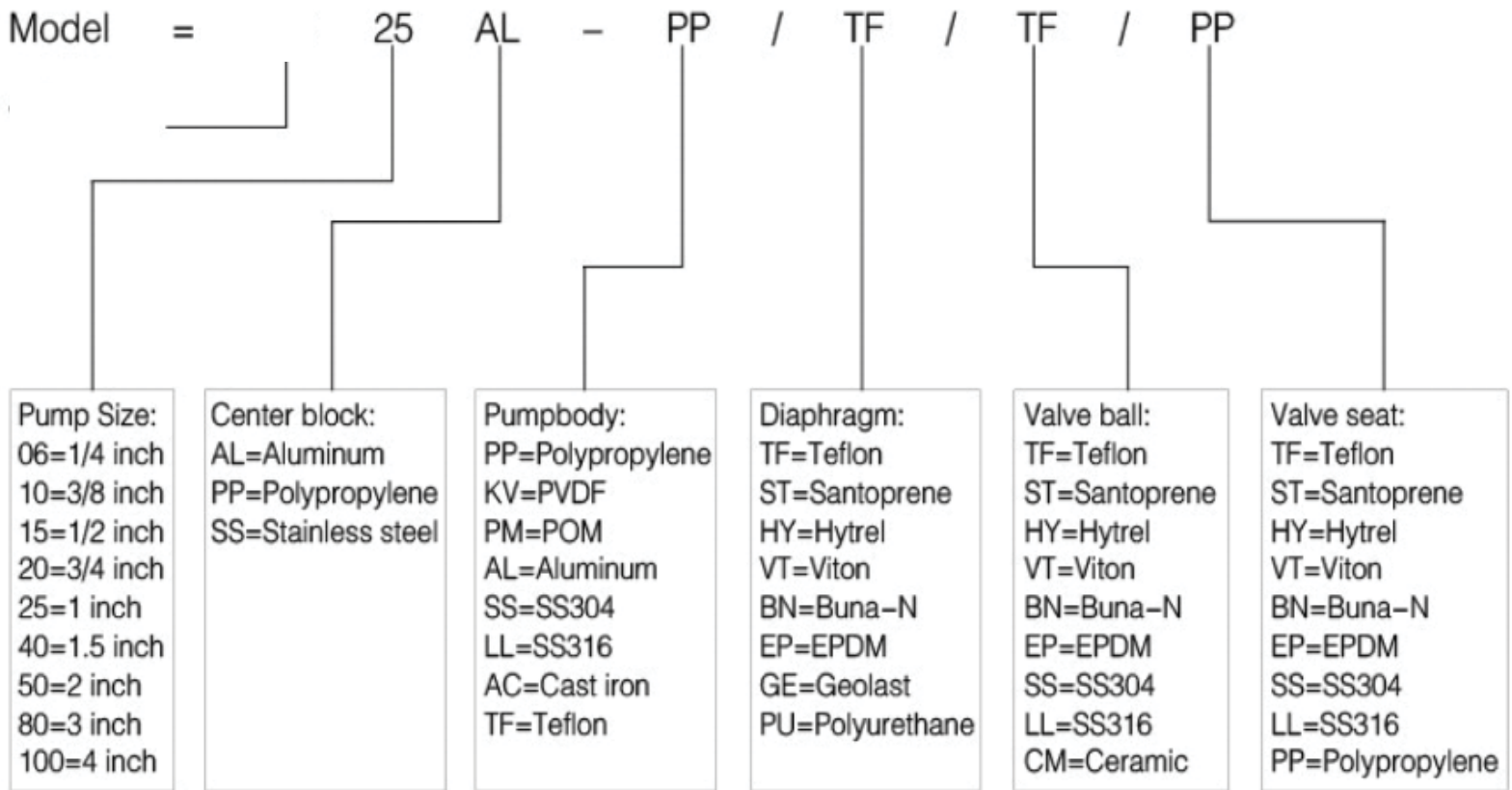
11142 Addison Avenue, Franklin Park, IL60131

Office: 1-847-451-2101

Fax: 1-847-451-2106



PUMP MODEL AND MATERIAL CODE



Plating International, Inc.

An ISO 9001: 2015, ISO 14001: 2015 Certified Company

11142 Addison Avenue, Franklin Park, IL60131

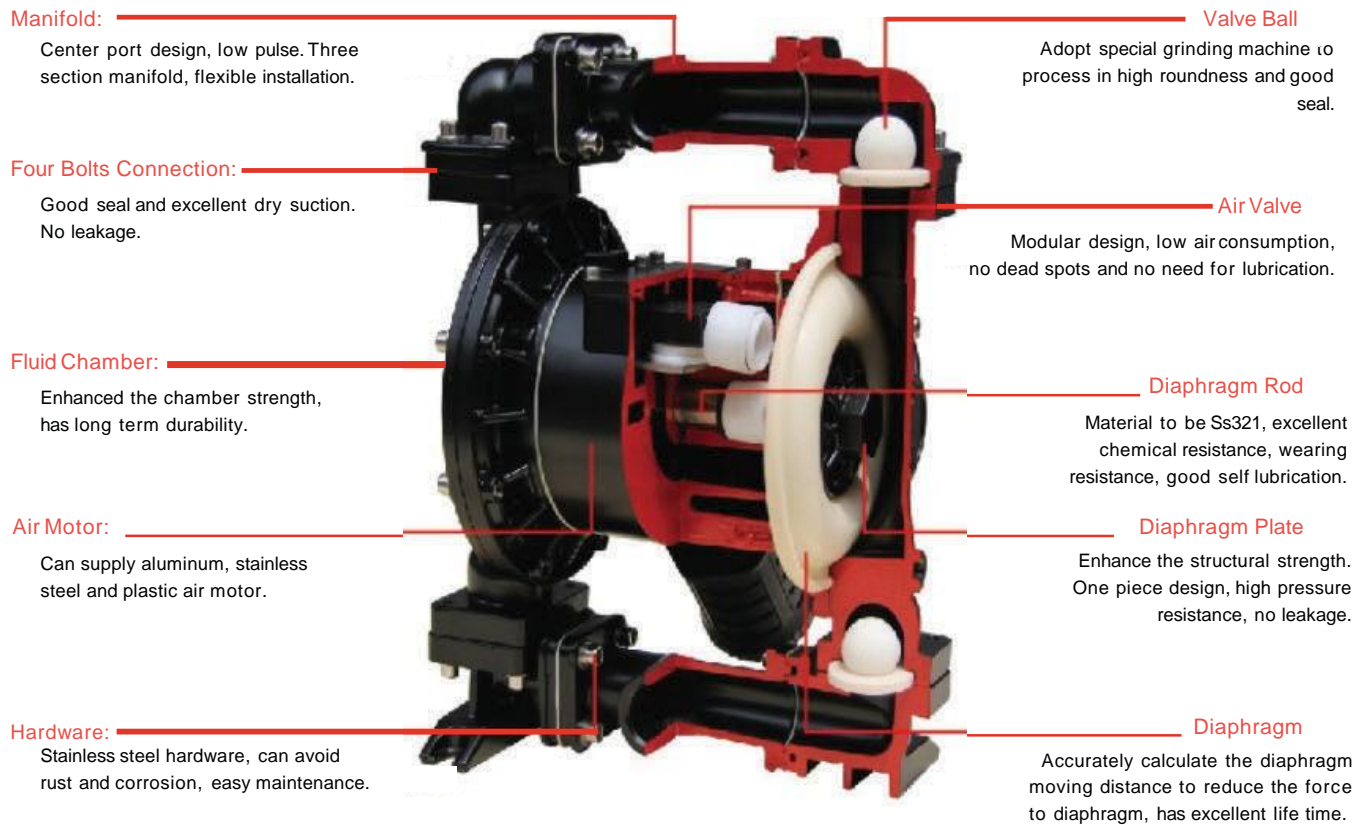
Office: 1-847-451-2101

Fax: 1-847-451-2106



GENERAL CHARACTERISTICS

- ❖ Without electricity, explosion proof, can convey flammable fluid
- ❖ No dynamic seals, even dry running without damage to the pump
- ❖ No impeller, low shear, will not damage the material structure of fluid.
- ❖ Submersible, mobile, flexible installation, easy maintenance.
- ❖ Can convey high thick, high viscosity fluid.
- ❖ Can convey acid, alkali, strong organic solvents and other fluid.
- ❖ Changing the inlet air and pressure, to adjust the flow rate and head.



Plating International, Inc.

An ISO 9001: 2015, ISO 14001: 2015 Certified Company

11142 Addison Avenue, Franklin Park, IL60131

Office: 1-847-451-2101

Fax: 1-847-451-2106



OPERATING TEMPERATURE LIMITATION

Diaphragm Material

Viton: Excellent corrosion resistance, resistance to various acids (including the median concentration of oxidizing acid), alkali, salt, petroleum products, hydrocarbons, etc.

Maximum

350 °F / 176.6 °C

Minimum

-40 °F / -40 °C

PTFE(Teflon): Excellent corrosion resistance, almost resistant to all chemicals. Except melting of lithium, potassium, sodium, chlorine trifluoride, high-temperature oxygen trifluoride, sulfur-speed liquid fluorine.

350 °F / 176.6 °C

40 °F / 4.4 °C

Santoprene: Good abrasion resistant, chemical resistant and heat resistant, suitable for general acid and alkali, not suitable for solvents. Can replace the EPDM/EPR material.

220 °F / 104.4 °C

-20 °F / -28.9 °C

Hytrel: Abrasive resistant, used with most neutral pH solutions. Can replace Buna-N materials.

220 °F / 104.4 °C

-20 °F / -28.9 °C

EPDM: Abrasive resistant, aging resistant, ozone resistant, suitable for general acid and alkali.

250 °F / 121.6 °C

-40 °F / -40 °C

Buna-N: Widely used in gasoline and other oil products, Suitable for use at room temperature.

212 °F / 100 °C

-40 °F / -40 °C

GE: More abrasive resistant than Hytrel, similar chemical resistant characteristics as Buna-N.

220 °F / 104.4 °C

-20 °F / -28.9 °C

Pump Body Material

PP: Abrasive resistant, chemical resistant, good versatility, great with common acid base.

150 °F / 65.5 °C

40 °F / 4.4 °C

POM: Solvent resistant, abrasive resistant, low friction, low moisture absorption.

150 °F / 65.5 °C

40 °F / 4.4 °C

PVDF: Chemical resistant, crush resistant, abrasive resistant. Corrosion resistant for acid, alkali, and a variety of organic solvents.

200 °F / 93.3 °C

40 °F / 4.4 °C

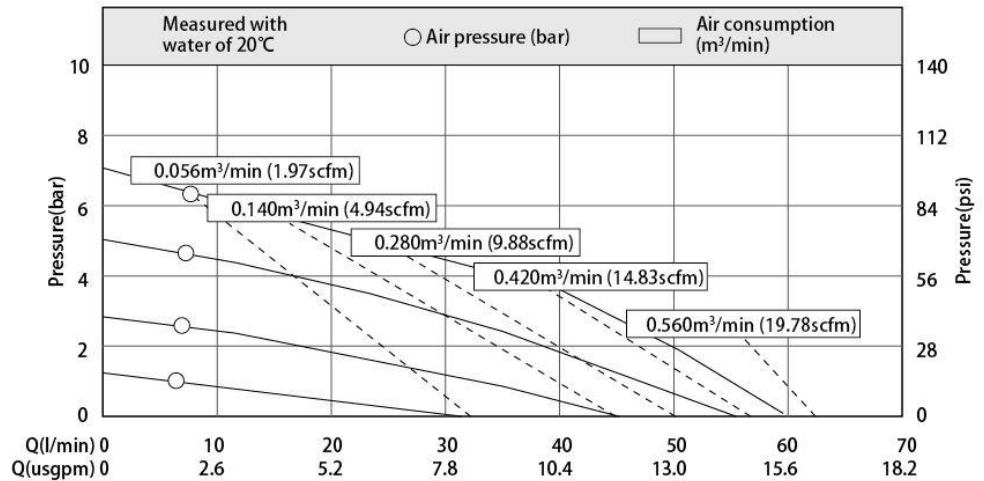
Note: The maximum and minimum temperature is the limited operating temperature of these materials. Temperature and pressure will affect the diaphragm life. operating under the maximum or minimum temperature will reduce the life expectancy of this pump.



PI 1/2" ALUMINUM PUMP



Performance curve



Technical Parameters

Suction Lift [mwc]	Dry 4	Wet 7.6
Max Particle Diameter [mm]	2.5	
Suction and Discharge size [in]	1/2	3/4
Air Inlet Size [in]	3/8	
Max Flow [l/min]	57	
Max Head [m]	84	
Max Air Inlet Pressure [bar]	8.4	

Material Quality

Pump body: Aluminum

Diaphragm: Santoprene, Hytrel, Teflon, Viton, EPDM, Buna-N

Valve Ball: Teflon, Stainless steel, Santoprene

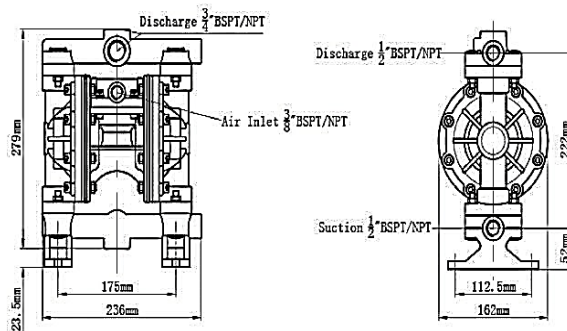
Valve Seat: SS304, SS316

Center Block: Polypropylene

Weight

Aluminum Pump: 4.5 Kgs

Installation size



Plating International, Inc.

An ISO 9001: 2015, ISO 14001: 2015 Certified Company

11142 Addison Avenue, Franklin Park, IL60131

Office: 1-847-451-2101

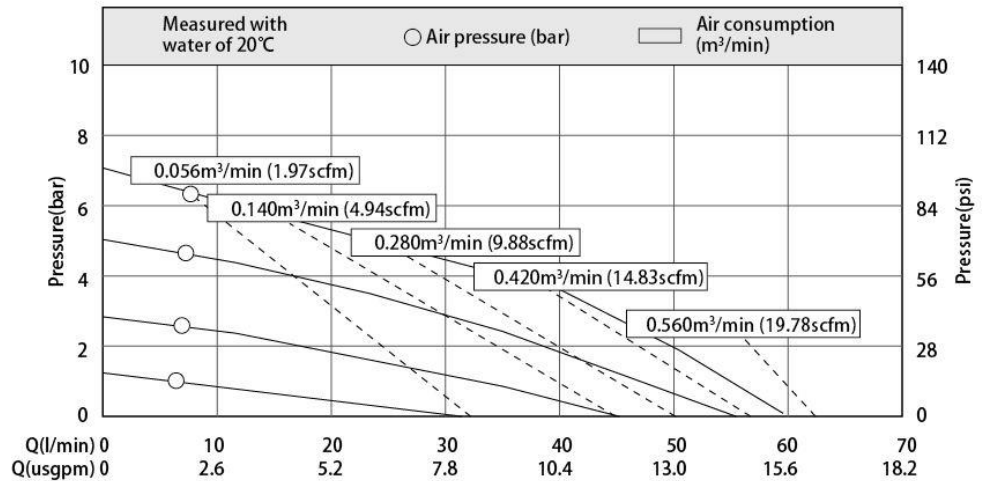
Fax: 1-847-451-2106



PI 1/2" PLASTIC PUMP



Performance curve



Technical Parameters

Suction Lift [mwc]	Dry 4
	Wet 7.6
Max Particle Diameter [mm]	2.5
Suction and Discharge size [in]	1/2 3/4
Air Inlet Size [in]	3/8
Max Flow [l/min]	57
Max Head [m]	84
Max Air Inlet Pressure [bar]	8.4

Material Quality

Pump body: Polypropylene, PVDF, POM

Diaphragm: Santoprene, Hytrel, Teflon, Viton, EPDM, Buna-N

Valve Ball: Teflon, Stainless steel, Santoprene

Valve Seat: Polypropylene, PVDF, POM

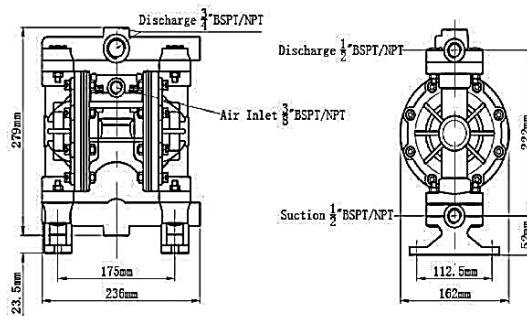
Center Block: Polypropylene

Weight

Polypropylene Pump / POM Pump: 3.5 Kgs

PVDF Pump: 4.5 Kgs

Installation size



Plating International, Inc.

An ISO 9001: 2015, ISO 14001: 2015 Certified Company

11142 Addison Avenue, Franklin Park, IL60131

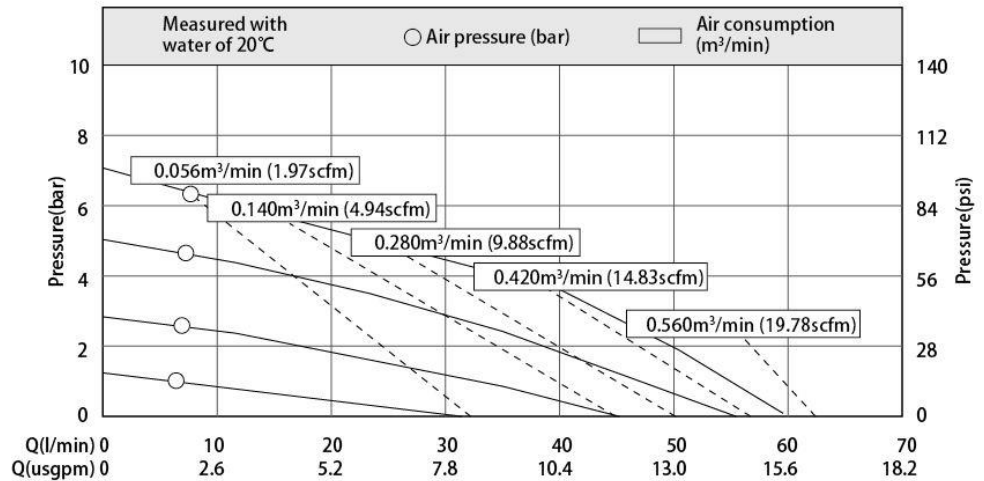
Office: 1-847-451-2101

Fax: 1-847-451-2106



PI 1/2" STAINLESS STEEL PUMP

⊙ Performance curve



Technical Parameters

Suction Lift [mwc]	Dry 4	Wet 7.6
Max Particle Diameter [mm]	2.5	
Suction and Discharge size [in]	1/2 3/4	
Air Inlet Size [in]	3/8	
Max Flow [l/min]	57	
Max Head [m]	84	
Max Air Inlet Pressure [bar]	8.4	

Material Quality

Pump body: SS304, SS316, SS316L

Diaphragm: Santoprene, Hytrel, Teflon, Viton, EPDM, Buna-N

Valve Ball: Teflon, Stainless steel, Santoprene

Valve Seat: SS304, SS316, SS316L

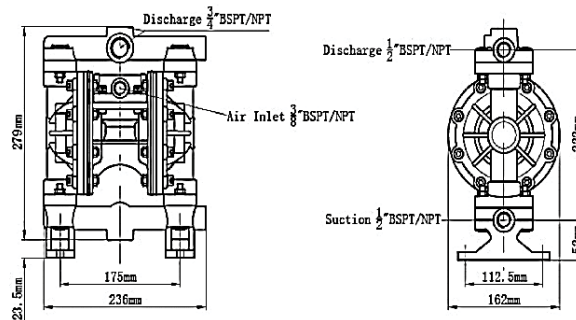
Center Block: Polypropylene

Weight

SS304 Pump: 7.5 Kgs

SS316 Pump: 7.5 Kgs

Installation size



Plating International, Inc.

An ISO 9001: 2015, ISO 14001: 2015 Certified Company

11142 Addison Avenue, Franklin Park, IL60131

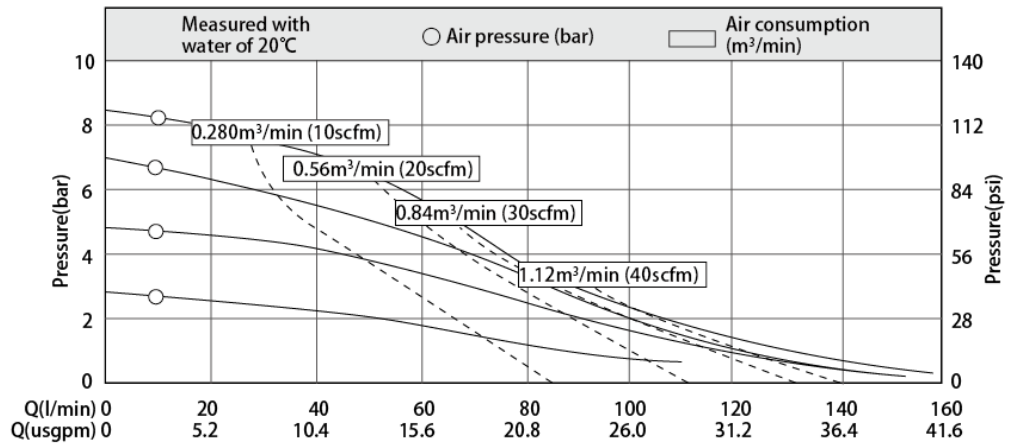
Office: 1-847-451-2101

Fax: 1-847-451-2106



PI 1" ALUMINUM PUMP

⊕ Performance curve



Technical Parameters

Suction Lift [mwc]	Dry 4
	Wet 8
Max Particle Diameter [mm]	4
Suction and Discharge size [in]	1
Air Inlet Size [in]	1/2
Max Flow [l/min]	157
Max Head [m]	84
Max Air Inlet Pressure [bar]	8.4

Material Quality

Pump body: Aluminum

Diaphragm: Santoprene, Hytrel, Teflon, Viton, EPDM, Buna-N

Valve Ball: Santoprene, Hytrel, Teflon, Viton, Stainless Steel, Ceramic

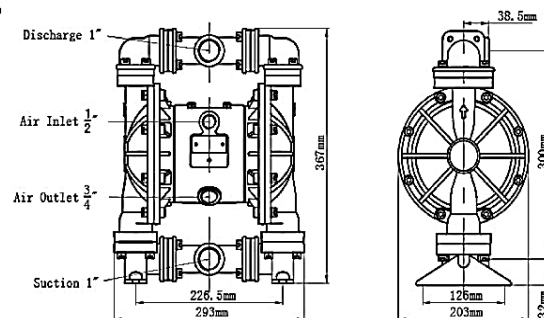
Valve Seat: Santoprene, Hytrel, Teflon, Viton, Stainless Steel

Center Block: Polypropylene, Aluminum, Stainless Steel

Weight

Aluminum Pump: 10 Kgs

Installation size



Plating International, Inc.

An ISO 9001: 2015, ISO 14001: 2015 Certified Company

11142 Addison Avenue, Franklin Park, IL60131

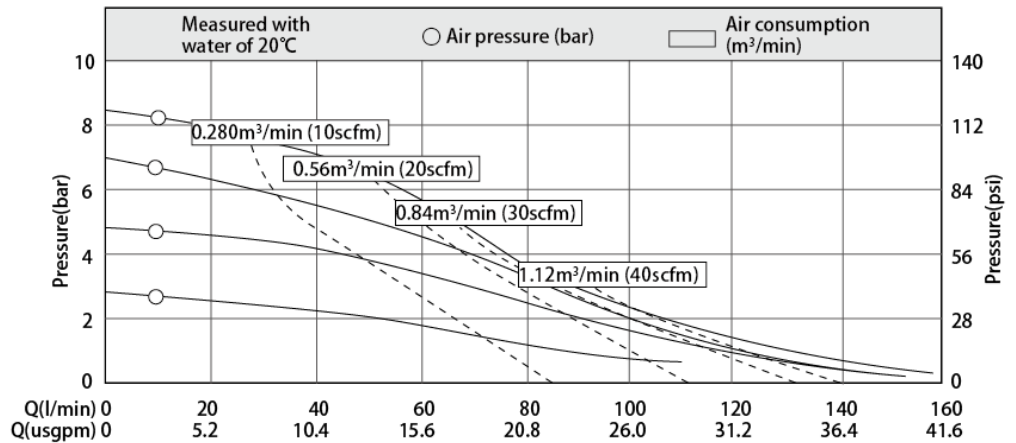
Office: 1-847-451-2101

Fax: 1-847-451-2106



PI 1" PLASTIC PUMP

⊕ Performance curve



Technical Parameters

Suction Lift [mwc]	Dry 4 Wet 8
Max Particle Diameter [mm]	4
Suction and Discharge size [in]	1
Air Inlet Size [in]	1/2
Max Flow [l/min]	157
Max Head [m]	84
Max Air Inlet Pressure [bar]	8.4

Material Quality

Pump body: Aluminum

Diaphragm: Santoprene, Hytrel, Teflon, Viton, EPDM, Buna-N

Valve Ball: Santoprene, Hytrel, Teflon, Viton, Stainless Steel, Ceramic

Valve Seat: Santoprene, Hytrel, Teflon, Viton, Polypropylene

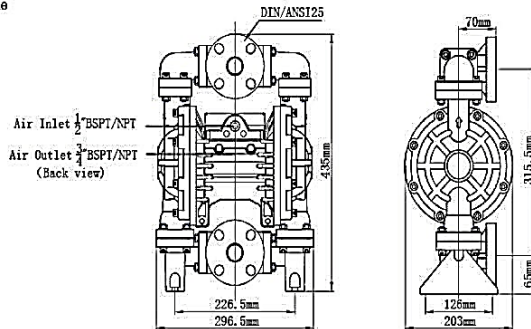
Center Block: Polypropylene, Aluminum, Stainless Steel

Weight

Aluminum Pump: 10 Kgs

PVDF Pump: 12 Kgs

Installation size



Plating International, Inc.

An ISO 9001: 2015, ISO 14001: 2015 Certified Company

11142 Addison Avenue, Franklin Park, IL60131

Office: 1-847-451-2101

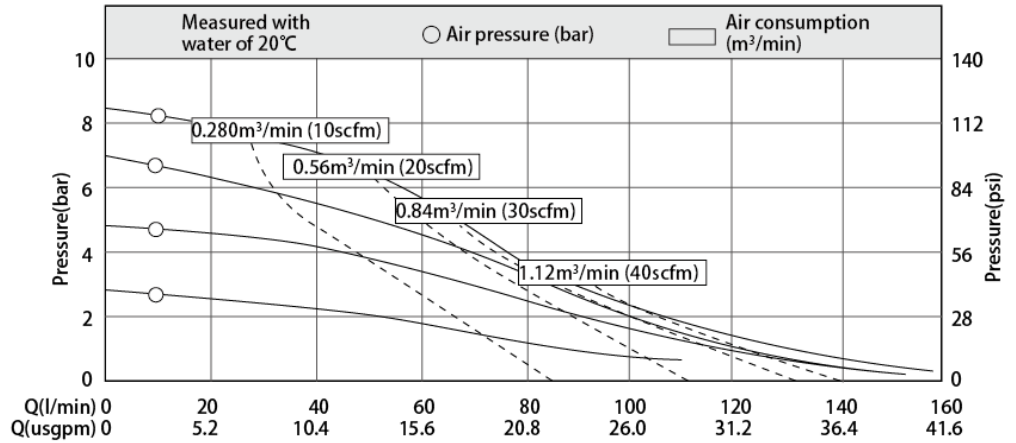
Fax: 1-847-451-2106



PI 1" STAINLESS STEEL PUMP



⊕ Performance curve



Technical Parameters

Suction Lift [mwc]	Dry 4 Wet 8
Max Particle Diameter [mm]	4
Suction and Discharge size [in]	1
Air Inlet Size [in]	1/2
Max Flow [l/min]	157
Max Head [m]	84
Max Air Inlet Pressure [bar]	8.4

Material Quality

Pump body: SS304, SS316, SS316L

Diaphragm: Santoprene, Hytrel, Teflon, Viton, EPDM, Buna-N

Valve Ball: Santoprene, Hytrel, Teflon, Viton, Stainless Steel, Ceramic

Valve Seat: Santoprene, Hytrel, Teflon, Viton, Stainless Steel

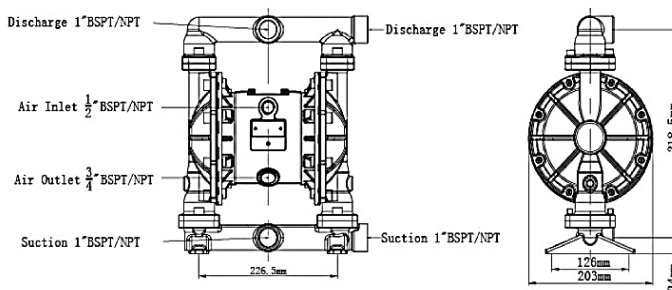
Center Block: Polypropylene, Aluminum, Stainless Steel

Weight

SS304 Pump: 16 Kgs

SS316 Pump: 16 Kgs

Installation size



Plating International, Inc.

An ISO 9001: 2015, ISO 14001: 2015 Certified Company

11142 Addison Avenue, Franklin Park, IL60131

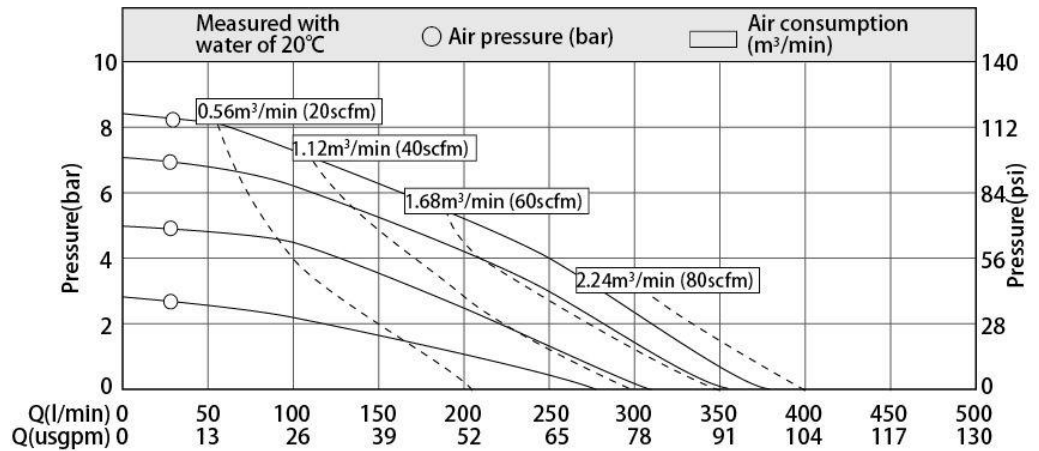
Office: 1-847-451-2101

Fax: 1-847-451-2106



PI 1 1/2" ALUMINUM/CAST IRON PUMP

⊙ Performance curve



Technical Parameters

Suction Lift [mwc]	Dry 5 Wet 8
Max Particle Diameter [mm]	5
Suction and Discharge size [in]	1 1/2
Air Inlet Size [in]	1/2
Max Flow [l/min]	358
Max Head [m]	84
Max Air Inlet Pressure [bar]	8.4

Material Quality

Pump body: Aluminum, Cast Iron

Diaphragm: Santoprene, Hytrel, Teflon, Viton, EPDM, Buna-N

Valve Ball: Santoprene, Hytrel, Teflon, Viton, Stainless Steel, Ceramic

Valve Seat: Santoprene, Hytrel, Teflon, Viton, Stainless Steel

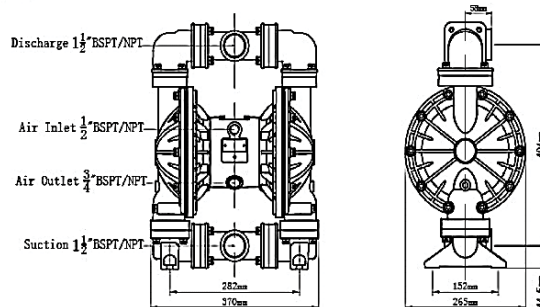
Center Block: Polypropylene, Aluminum, Stainless Steel

Weight

Aluminum Pump: 20 Kgs

Cast Pump: 50 Kgs

Installation size



Plating International, Inc.

An ISO 9001: 2015, ISO 14001: 2015 Certified Company

11142 Addison Avenue, Franklin Park, IL60131

Office: 1-847-451-2101

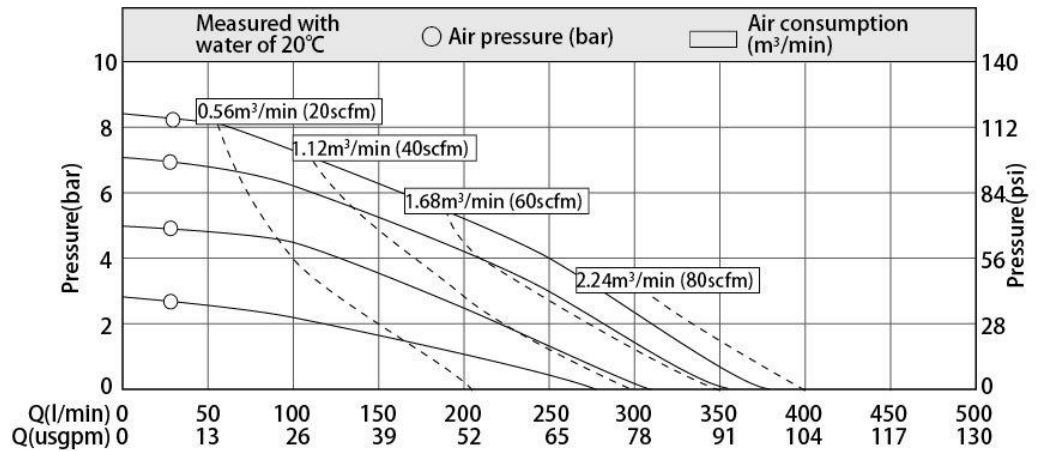
Fax: 1-847-451-2106



PI 1 1/2" PLASTIC PUMP



⊙ Performance curve



Technical Parameters

Suction Lift [mwc]	Dry 5
	Wet 8
Max Particle Diameter [mm]	5
Suction and Discharge size [in]	1 1/2
Air Inlet Size [in]	1/2
Max Flow [l/min]	358
Max Head [m]	84
Max Air Inlet Pressure [bar]	8.4

Material Quality

Pump body: Polypropylene, PVDF

Diaphragm: Santoprene, Hytrel, Teflon, Viton, EPDM, Buna-N

Valve Ball: Santoprene, Hytrel, Teflon, Viton, Stainless Steel, Ceramic

Valve Seat: Santoprene, Hytrel, Teflon, Viton, Polypropylene

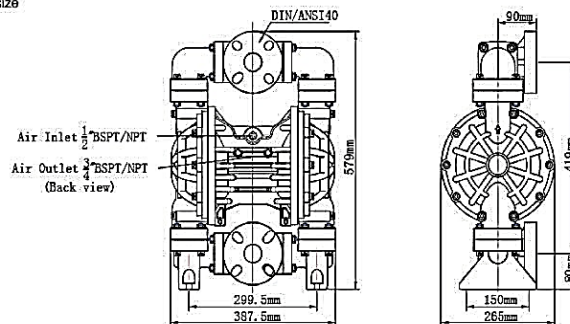
Center Block: Polypropylene, Aluminum, Stainless Steel

Weight

Polypropylene Pump: 17 Kgs

PVDF: 24 Kgs

Installation size



Plating International, Inc.

An ISO 9001: 2015, ISO 14001: 2015 Certified Company

11142 Addison Avenue, Franklin Park, IL60131

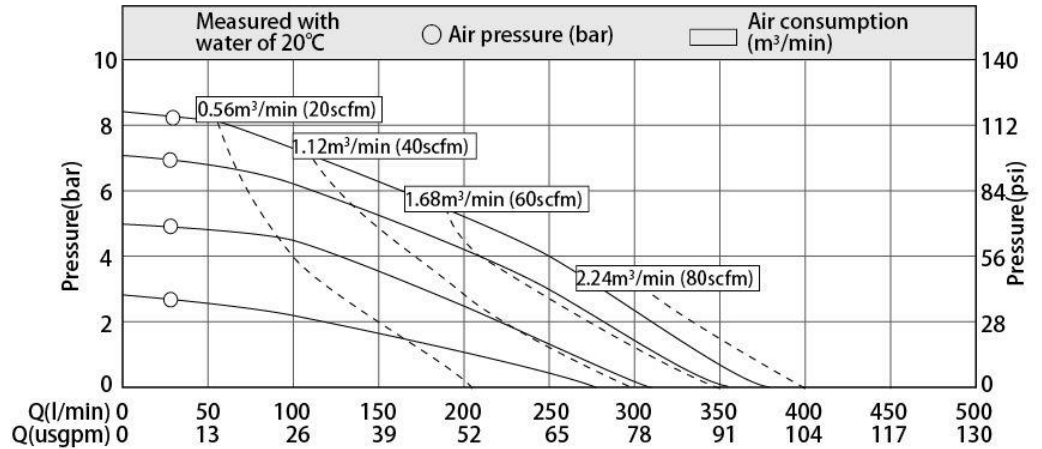
Office: 1-847-451-2101

Fax: 1-847-451-2106



PI 1 1/2" STAINLESS STEEL PUMP

⊙ Performance curve



Technical Parameters

Suction Lift [mwc]	Dry 5 Wet 8
Max Particle Diameter [mm]	5
Suction and Discharge size [in]	1 1/2
Air Inlet Size [in]	1/2
Max Flow [l/min]	358
Max Head [m]	84
Max Air Inlet Pressure [bar]	8.4

Material Quality

Pump body: SS304, SS316, SS316L

Diaphragm: Santoprene, Hytrel, Teflon, Viton, EPDM, Buna-N

Valve Ball: Santoprene, Hytrel, Teflon, Viton, Stainless Steel, Ceramic

Valve Seat: Santoprene, Hytrel, Teflon, Viton, Stainless Steel

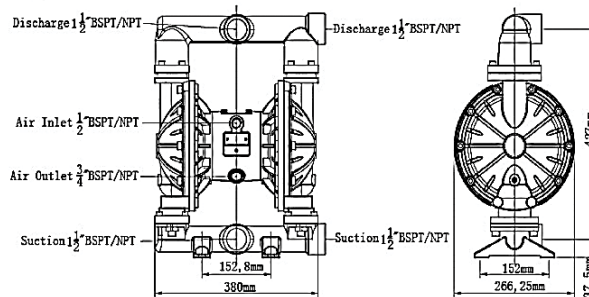
Center Block: Polypropylene, Aluminum, Stainless Steel

Weight

SS304 Pump: 31 Kgs

SS316: 31 Kgs

Installation size



Plating International, Inc.

An ISO 9001: 2015, ISO 14001: 2015 Certified Company

11142 Addison Avenue, Franklin Park, IL60131

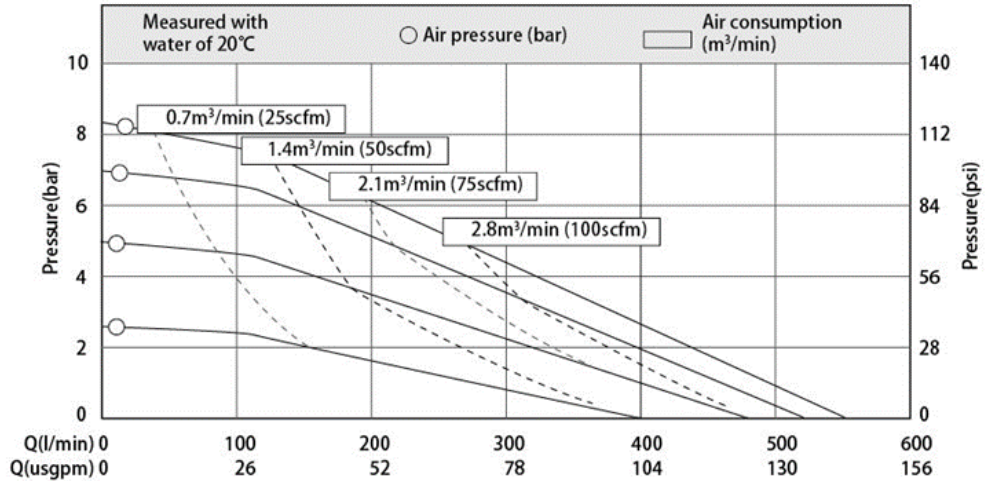
Office: 1-847-451-2101

Fax: 1-847-451-2106



PI 2" ALUMINUM/CAST IRON PUMP

⊙ Performance curve



Technical Parameters

Suction Lift [mwc]	Dry 5
	Wet 8
Max Particle Diameter [mm]	6
Suction and Discharge size [in]	2
Air Inlet Size [in]	1/2
Max Flow [l/min]	587
Max Head [m]	84
Max Air Inlet Pressure [bar]	8.4

Material Quality

Pump body: Aluminum, Cast Iron

Diaphragm: Santoprene, Hytrel, Teflon, Viton, EPDM, Buna-N

Valve Ball: Santoprene, Hytrel, Teflon, Viton, Stainless Steel, Ceramic

Valve Seat: Santoprene, Hytrel, Teflon, Viton, Stainless Steel

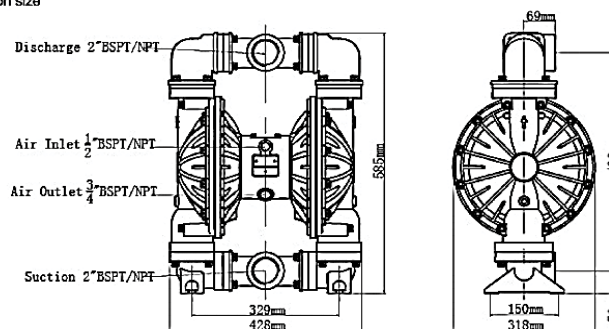
Center Block: Polypropylene, Aluminum, Stainless Steel

Weight

Aluminum Pump: 27 Kgs

Cast Iron Pump: 78 Kgs

Installation size



Plating International, Inc.

An ISO 9001: 2015, ISO 14001: 2015 Certified Company

11142 Addison Avenue, Franklin Park, IL60131

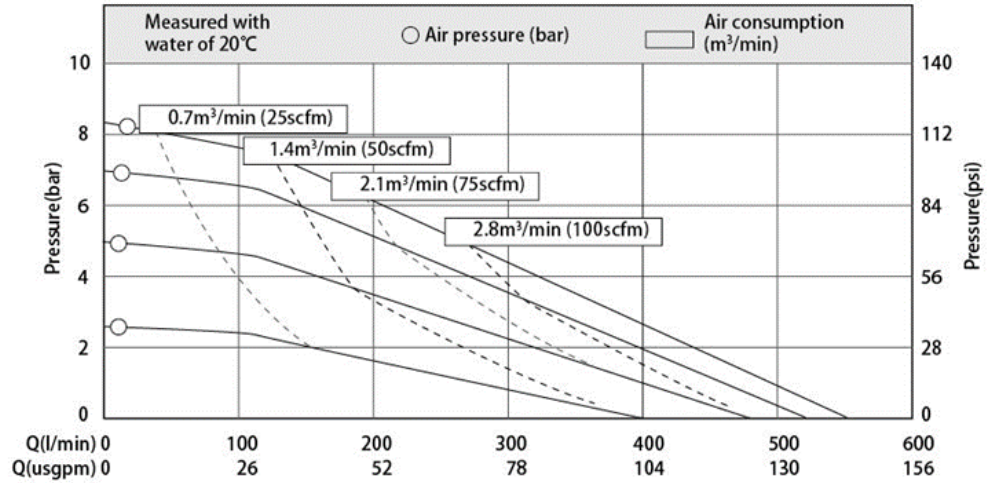
Office: 1-847-451-2101

Fax: 1-847-451-2106



PI 2" PLASTIC PUMP

⊙ Performance curve



Technical Parameters

Suction Lift [mwc]	Dry 5 Wet 8
Max Particle Diameter [mm]	6
Suction and Discharge size [in]	2
Air Inlet Size [in]	1/2
Max Flow [l/min]	587
Max Head [m]	84
Max Air Inlet Pressure [bar]	8.4

Material Quality

Pump body: Polypropylene, PVDF

Diaphragm: Santoprene, Hytrel, Teflon, Viton, EPDM, Buna-N

Valve Ball: Santoprene, Hytrel, Teflon, Viton, Stainless Steel, Ceramic

Valve Seat: Santoprene, Hytrel, Teflon, Viton, Polypropylene

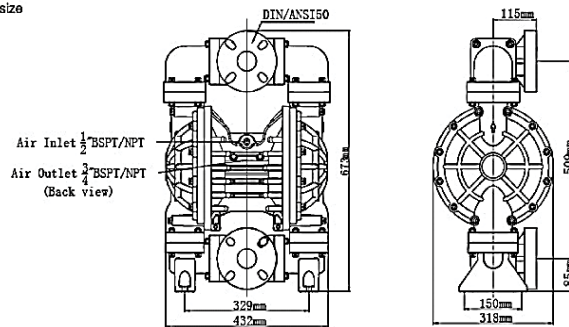
Center Block: Polypropylene, Aluminum, Stainless Steel

Weight

Polypropylene Pump: 25 Kgs

PVDF Pump: 34 Kgs

Installation size



Plating International, Inc.

An ISO 9001: 2015, ISO 14001: 2015 Certified Company

11142 Addison Avenue, Franklin Park, IL60131

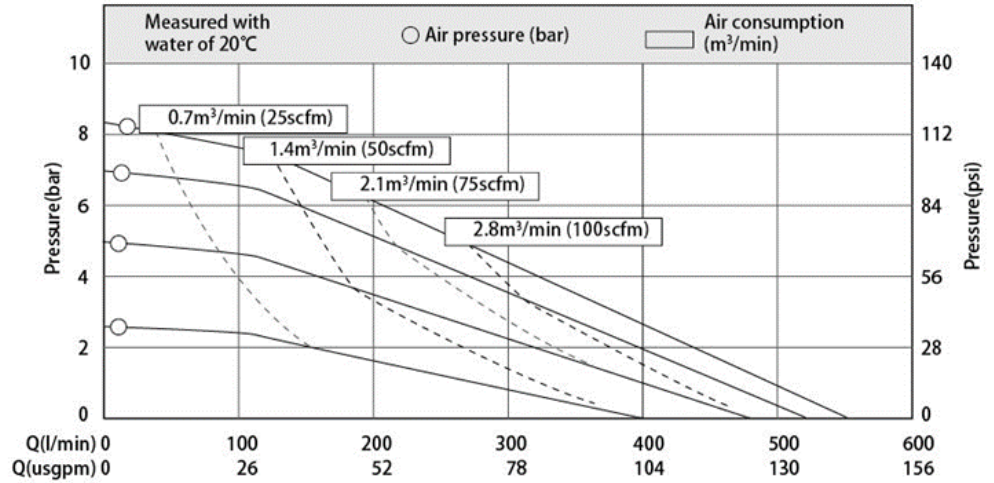
Office: 1-847-451-2101

Fax: 1-847-451-2106



PI 2" STAINLESS STEEL PUMP

⊙ Performance curve



Technical Parameters

Suction Lift [mwc]	Dry 5 Wet 8
Max Particle Diameter [mm]	6
Suction and Discharge size [in]	2
Air Inlet Size [in]	1/2
Max Flow [l/min]	587
Max Head [m]	84
Max Air Inlet Pressure [bar]	8.4

Material Quality

Pump body: SS304, SS316, SS316L

Diaphragm: Santoprene, Hytrel, Teflon, Viton, EPDM, Buna-N

Valve Ball: Santoprene, Hytrel, Teflon, Viton, Stainless Steel, Ceramic

Valve Seat: Santoprene, Hytrel, Teflon, Viton, Stainless Steel

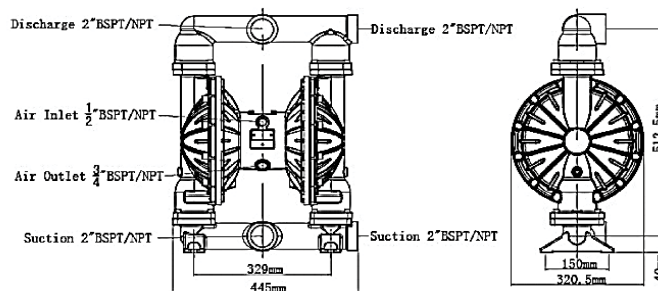
Center Block: Polypropylene, Aluminum, Stainless Steel

Weight

Polypropylene Pump: 48 Kgs

PVDF Pump: 48 Kgs

Installation size



Plating International, Inc.

An ISO 9001: 2015, ISO 14001: 2015 Certified Company

11142 Addison Avenue, Franklin Park, IL60131

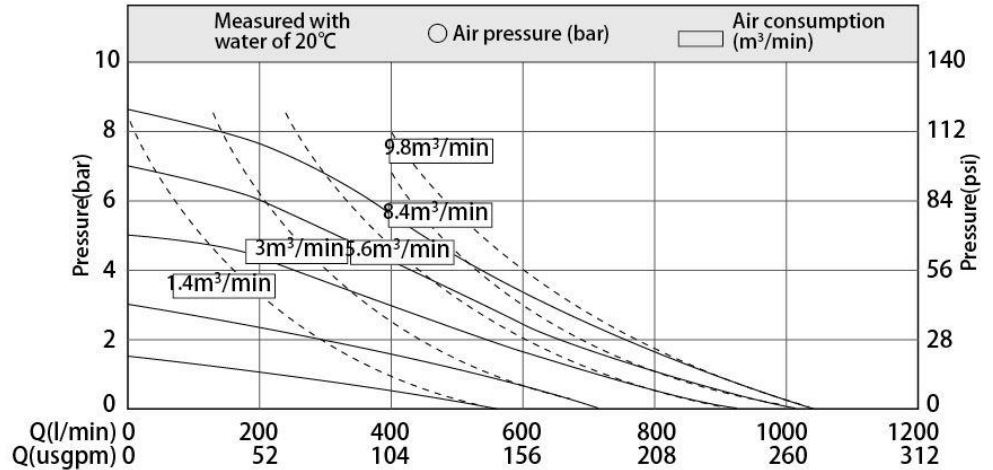
Office: 1-847-451-2101

Fax: 1-847-451-2106



PI 3" ALUMINUM PUMP

⊙ Performance curve



Technical Parameters

Suction Lift [mwc]	Dry 5 Wet 8
Max Particle Diameter [mm]	9.4
Suction and Discharge size [in]	3
Air Inlet Size [in]	3/4
Max Flow [l/min]	1060
Max Head [m]	84
Max Air Inlet Pressure [bar]	8.4

Material Quality

Pump body: Aluminum

Diaphragm: Santoprene, Hytrel, Teflon, Viton, EPDM, Buna-N

Valve Ball: Santoprene, Hytrel, Teflon, Viton, Stainless Steel, Ceramic

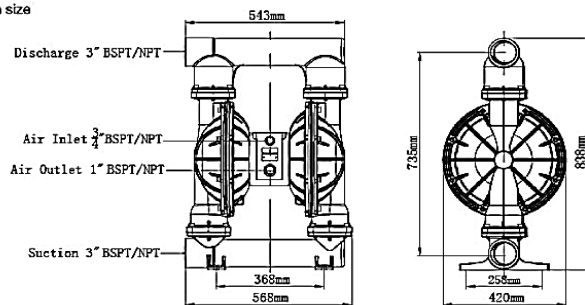
Valve Seat: Santoprene, Hytrel, Teflon, Viton, Stainless Steel

Center Block: Polypropylene, Aluminum, Stainless Steel

Weight

Aluminum Pump: 50 Kgs

Installation size



Plating International, Inc.

An ISO 9001: 2015, ISO 14001: 2015 Certified Company

11142 Addison Avenue, Franklin Park, IL60131

Office: 1-847-451-2101

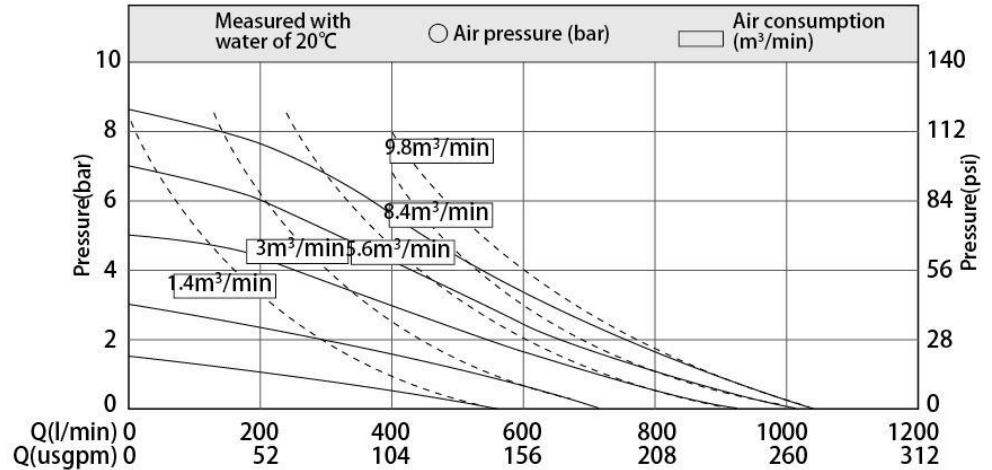
Fax: 1-847-451-2106



PI 3" PLASTIC PUMP



⊙ Performance curve



Technical Parameters

Suction Lift [mwc]	Dry 5 Wet 8
Max Particle Diameter [mm]	9.4
Suction and Discharge size [in]	3
Air Inlet Size [in]	3/4
Max Flow [l/min]	1060
Max Head [m]	84
Max Air Inlet Pressure [bar]	8.4

Material Quality

Pump body: Polypropylene, PVDF

Diaphragm: Santoprene, Hytrel, Teflon, Viton, EPDM, Buna-N

Valve Ball: Santoprene, Hytrel, Teflon, Viton, Stainless Steel, Ceramic

Valve Seat: Santoprene, Hytrel, Teflon, Viton, Polypropylene

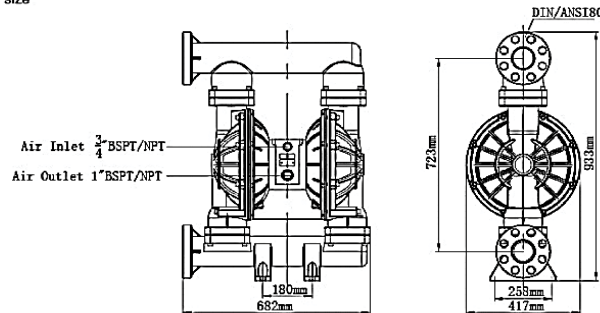
Center Block: Polypropylene, Aluminum, Stainless Steel

Weight

Polypropylene Pump: 50 Kgs

PVDF Pump: 90 Kgs

Installation size



Plating International, Inc.

An ISO 9001: 2015, ISO 14001: 2015 Certified Company

11142 Addison Avenue, Franklin Park, IL60131

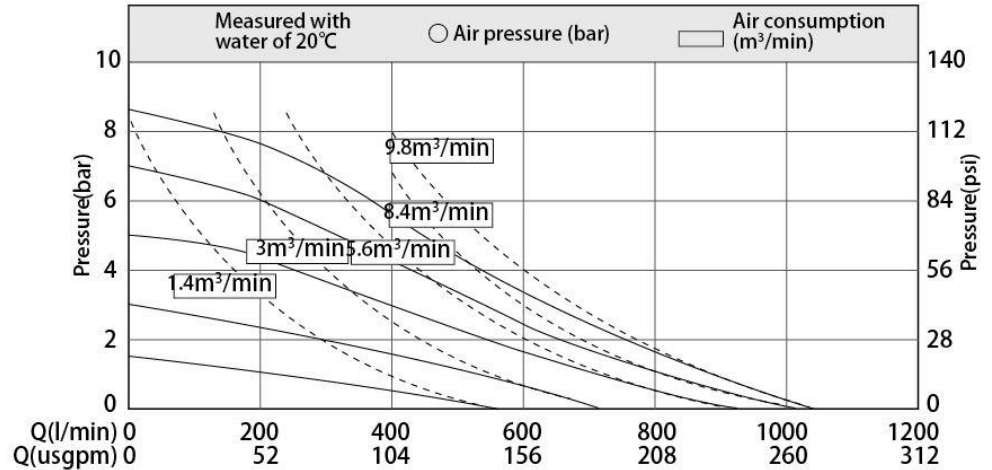
Office: 1-847-451-2101

Fax: 1-847-451-2106



PI 3" STAINLESS STEEL PUMP

⊙ Performance curve



Technical Parameters

Suction Lift [mwc]	Dry 5 Wet 8
Max Particle Diameter [mm]	9.4
Suction and Discharge size [in]	3
Air Inlet Size [in]	3/4
Max Flow [l/min]	1060
Max Head [m]	84
Max Air Inlet Pressure [bar]	8.4

Material Quality

Pump body: SS304, SS316, SS316L

Diaphragm: Santoprene, Hytrel, Teflon, Viton, EPDM, Buna-N

Valve Ball: Santoprene, Hytrel, Teflon, Viton, Stainless Steel, Ceramic

Valve Seat: Santoprene, Hytrel, Teflon, Viton, Stainless Steel

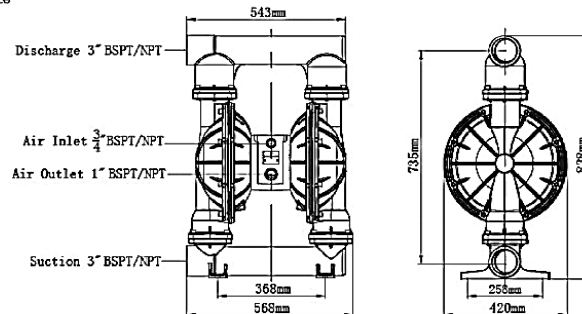
Center Block: Polypropylene, Aluminum, Stainless Steel

Weight

Polypropylene Pump: 48 Kgs

PVDF Pump: 48 Kgs

Installation size



Plating International, Inc.

An ISO 9001: 2015, ISO 14001: 2015 Certified Company

11142 Addison Avenue, Franklin Park, IL60131

Office: 1-847-451-2101

Fax: 1-847-451-2106